



P.O. Box 730, Warman, SK S0K 4S0
Tel: (306) 931-2249; Fax: (306) 931-6186
Email: wendy@neufeldbuildingmovers.com
www.neufeldbuildingmovers.com

Thank you for choosing Neufeld Building Movers Inc. for the moving of your new home.

We value and rely on your input for routing your new home to your property. We will have your home routed from the builder's site to the nearest major highway or road closest to your location. To help us get your home from the nearest highway to your foundation we need some additional information. We need specific road numbers and precise direction to the site. We ask that during the planning process you inform us of any bridges, soft roads, highwater ditches, trees near the road or hanging over the road. In the information provided we have laid out some of the obstacles you should be looking for. We ask that you provide photos and diagrams of these obstacles.

Thank you in advance for your cooperation to help us deliver your home with precision and efficiency. In turn we hope to make your home move as worry free as possible.

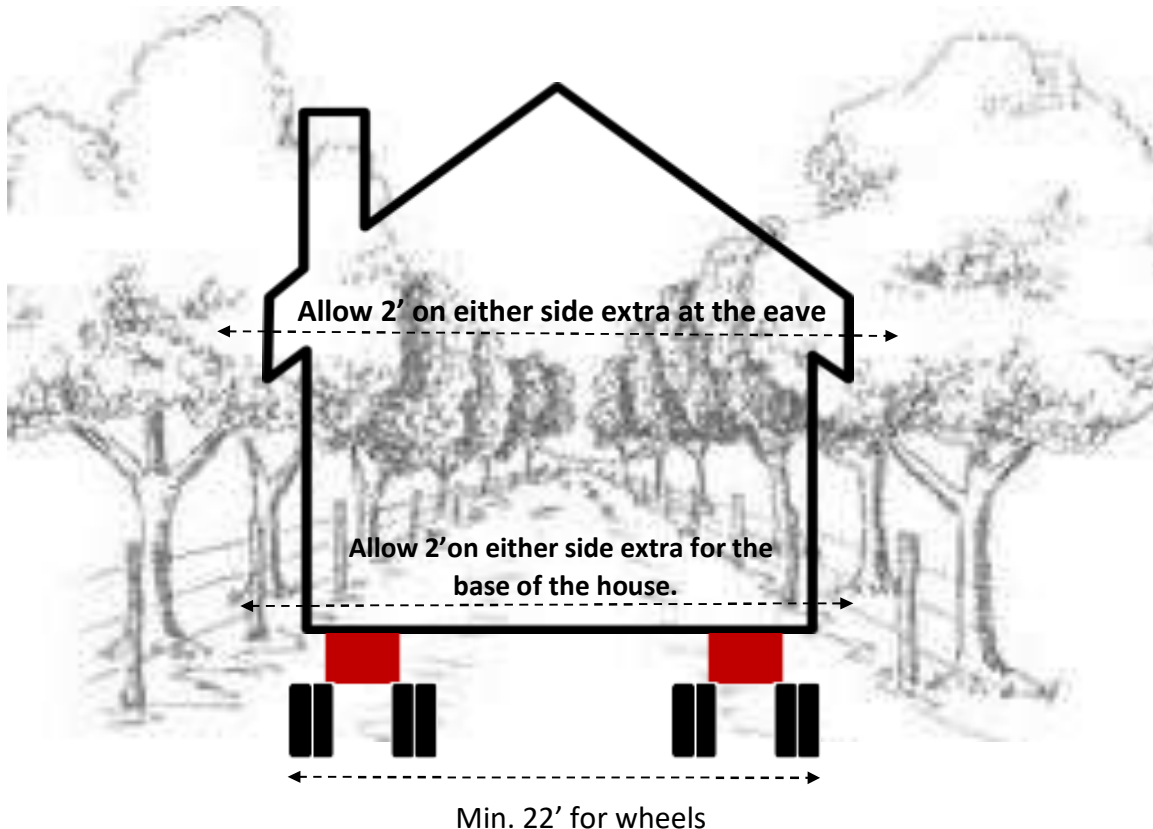
“We Deliver Quality with Professionalism”



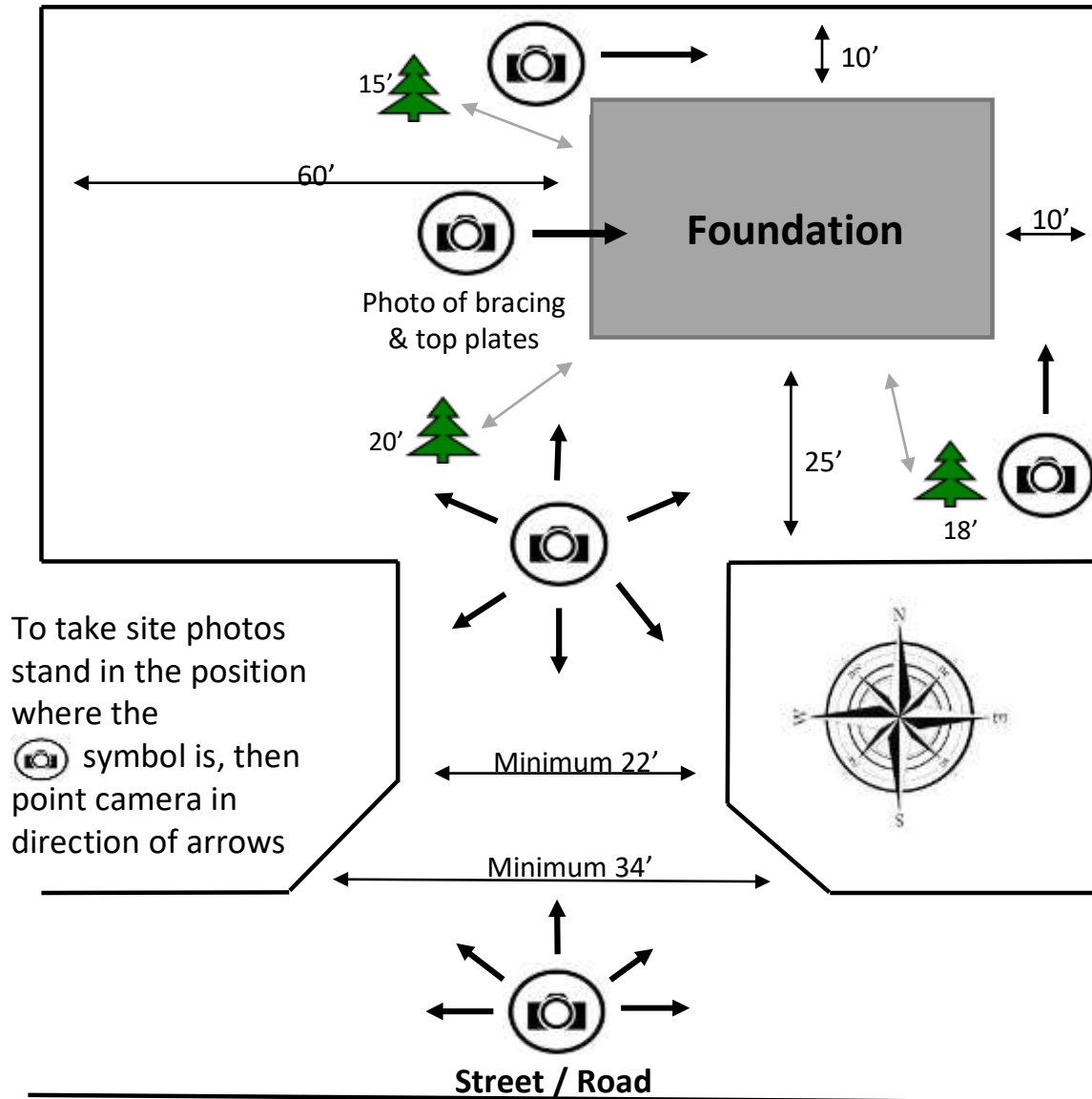
Road Allowances

- Minimum road allowance required from ditch to ditch is 22' for our wheels to travel.
- Overhanging trees on the road are always a potential problem area.
- If a house is moving along a treed road, trees need to be trimmed at the bottom to allow for the base width of the house and trimmed at the top for allowance of the house at the eave allow an extra 4' (2' per side).

Example: Your house has a base width of 28', eave width of 32'
Tree allowance of 32' at base, 36' at the eave



Site Map / Drawing and Site Photos

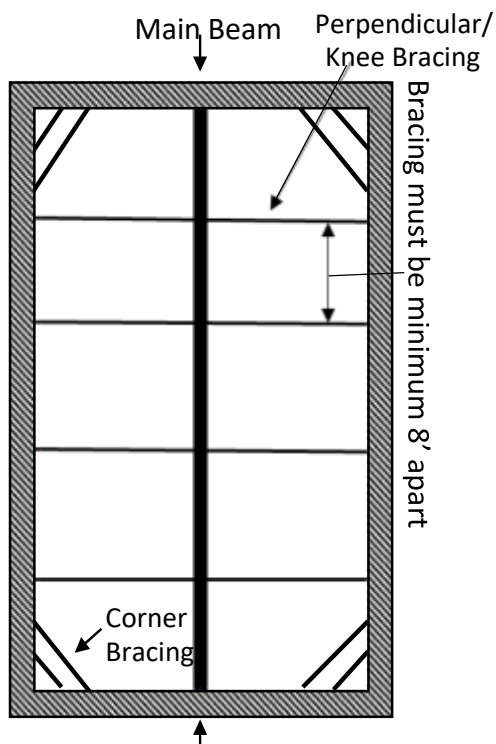


- Please draw out your yard site, place foundation in appropriate position.
- Please take measurements from property line to foundation.
- If there are other objects in the yard site (ex: trees, buildings, fences, etc.) mark them on the drawing and measure distance between object and foundation.
- When possible have an object of comparison in photo (ex: person, car, etc.).
- Two weeks prior to move date send photos to wendy@neufeldbuildingmovers.com

Construction and Bracing Requirements for WOOD BASEMENT / WOODEN PONY WALLS

Illustration 1

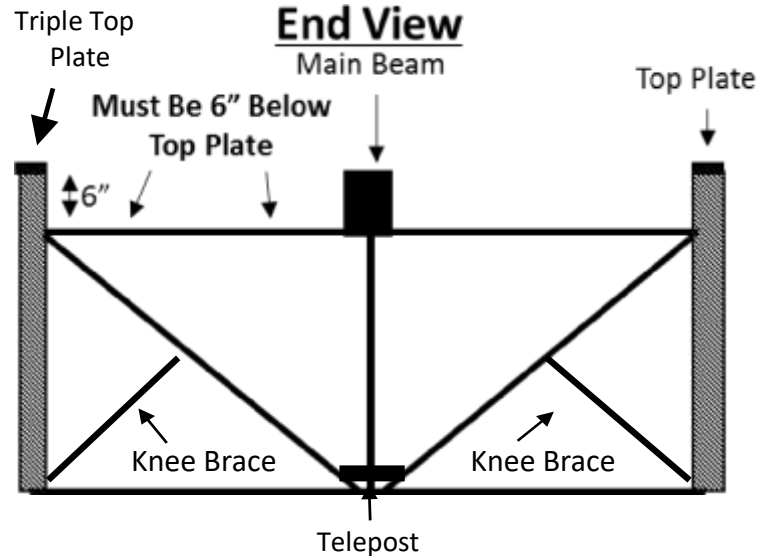
Top View



One top plate must run continuously through **CENTER** beam

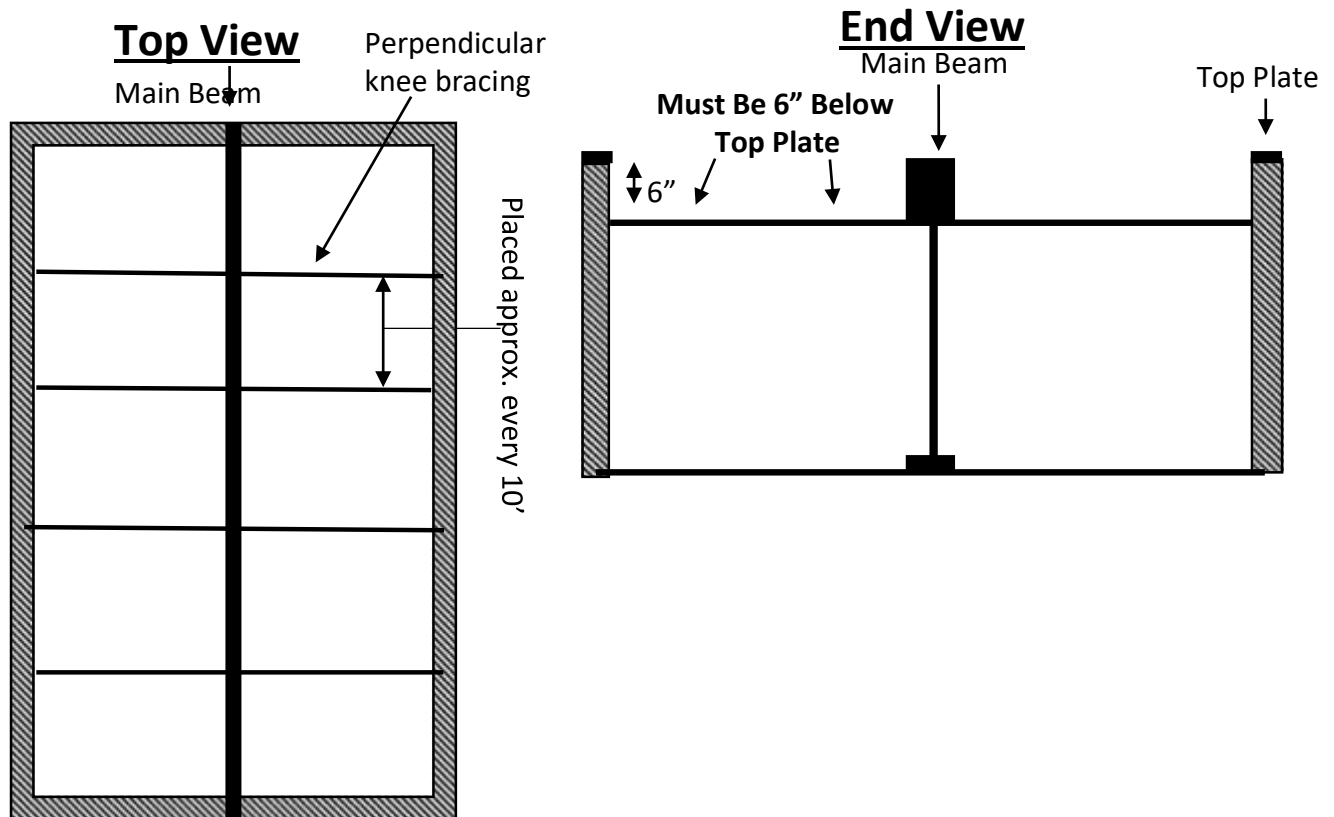
Illustration 2

End View



- All **walls MUST** be constructed with studs **12" on center**.
- All Bracing **MUST be constructed of 2x6 lumber**.
- Knee bracing must be attached to the bottom of the wall and connected to the main brace as illustrated in illustration #2.
- When bracing the main beam, the horizontal braces **MUST** be attached to the bottom portion of the main beam and 6" below top edge of the top plate and main beam.
- Must double brace corners with 2x6 lumber.
- Top plate **MUST be a Triple top plate**. It must consist of **2x8 lumber** and cover the entire perimeter of the foundation.

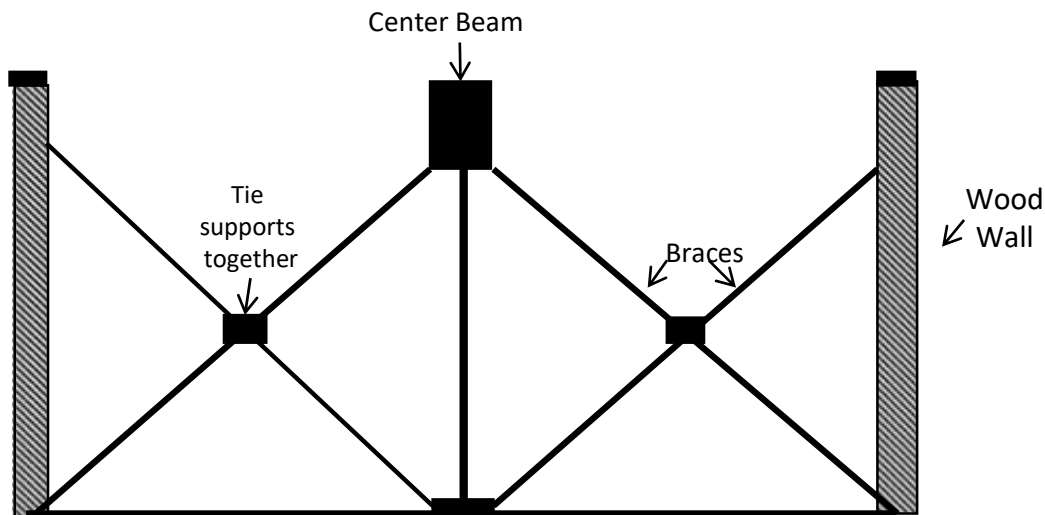
How to Brace CONCRETE / ICF BASEMENT



- When securing a top a top plate, nuts must be counter sunk and anchor bolts must be cut flush with the top plate.
- When bracing the main beam, the horizontal braces **MUST** be attached to the bottom portion of the main beam. **and 6" below the top edge of the top plate on the outside wall.**

How to Brace a **WOOD** Foundation with **House Moving Beam Pockets**

**** Note: Beam pockets must be placed according to Beam Pocket Plan provided by Neufeld Building Movers**



- Placing of braces need to be the same height or lower than the bottom of the beam pockets.
- Braces should be placed every 10' or so.
- Tie the brace that angle down from either direction to one another to create an "X" for extra support.

**** These are recommendations for basement bracing are at the contractor's discretion for different methods. Any Bracing placed cannot impede with beam pockets. ****

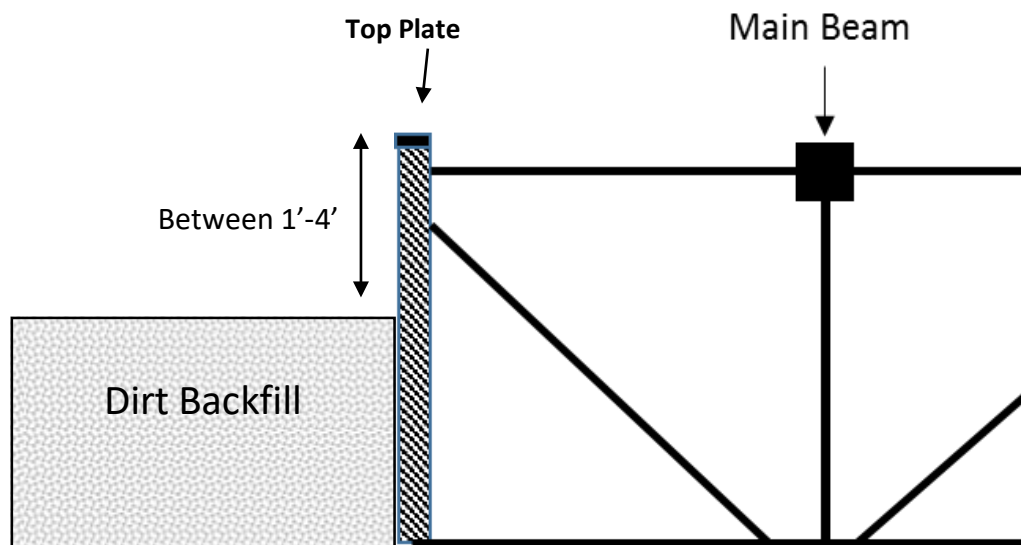
For concrete foundation, the most important part is to stabilize the center beam, any other bracing can be minimal at the contractor's discretion.

If the house moving beam pockets are not mentioned on your quote or from your salesperson, pockets will not be required.

For more information on beam pockets please contact your salesperson or our office.

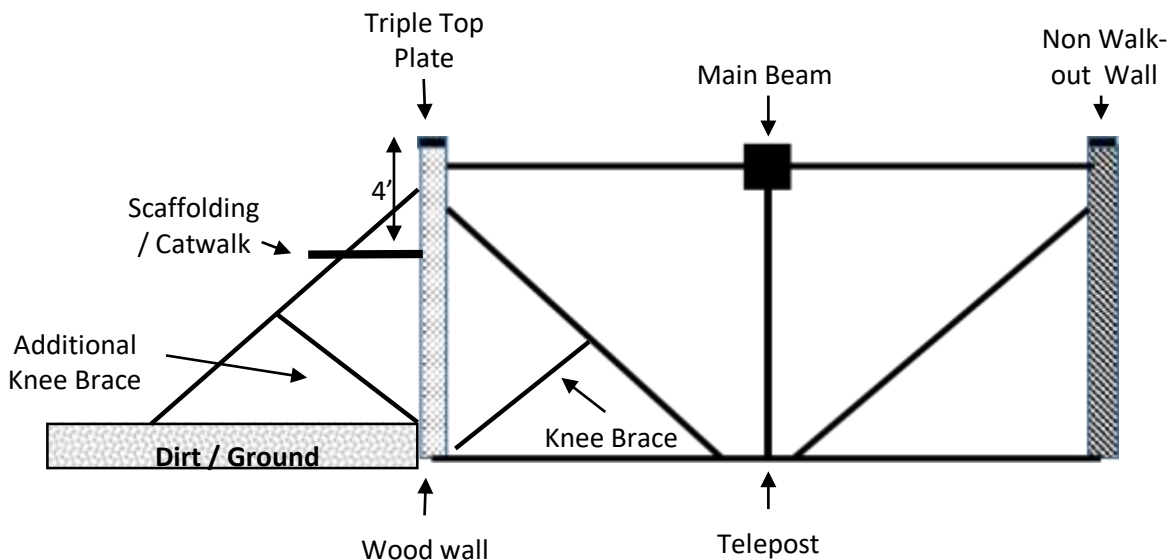
How to Backfill ALL BASEMENTS

Side View



- **All basements MUST** be backfilled around the **ENTIRE** perimeter of foundation.
- Backfill from the top plate must be between 1'-4' from ground level below the top plate.
- On walkout walls we do require a catwalk or scaffolding to be put in place for our crew to sufficiently work around the perimeter of your foundation. The catwalk, or scaffolding, must be 4' below the top plate.

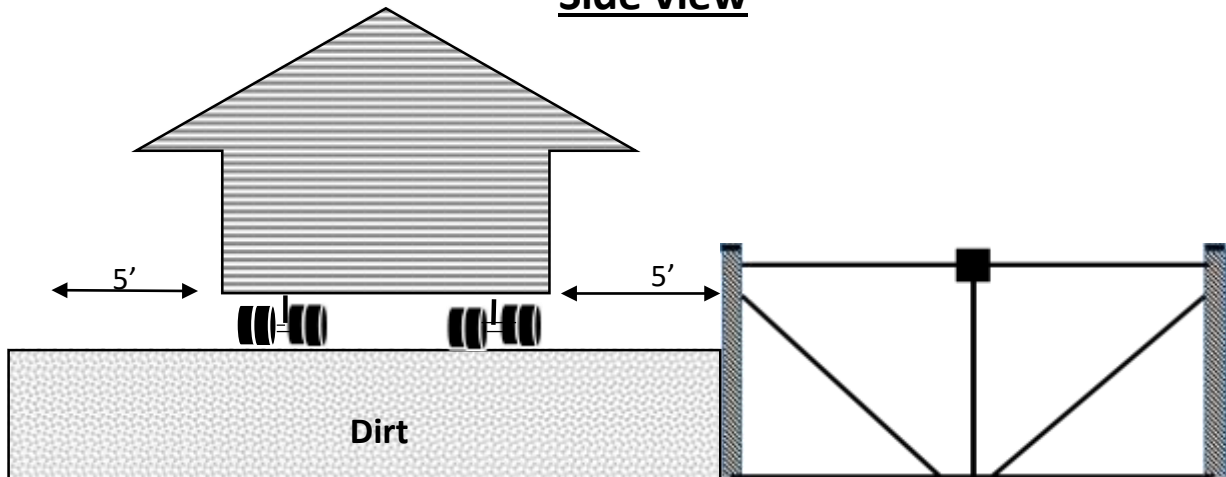
How to Prepare WALKOUT WALLS



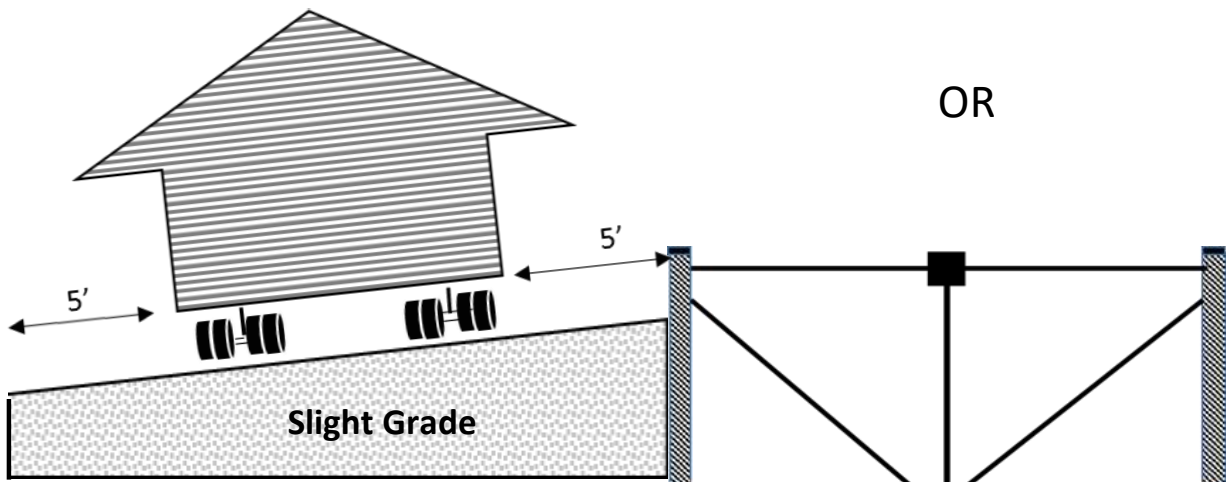
- On End walls, follow the specifications for **wood wall** construction as explained on page 5.
- The wood walkout walls running the **LENGTH** of basement can be built with 2x6 material. Additional bracing is required along the outside of the wood walkout wall as illustrated above.
- Please follow knee bracing instructions for the walkout wall as per illustration #2 on page 5.
- We **MUST** have a catwalk or scaffolding along the walkout wall.
- Wood walkout walls must be **securely fasted** to the concrete wall using anchor bolts.
- Bracing must be minimum 8' apart on both the inside and outside of the wall.

How to Prepare Site

Side view

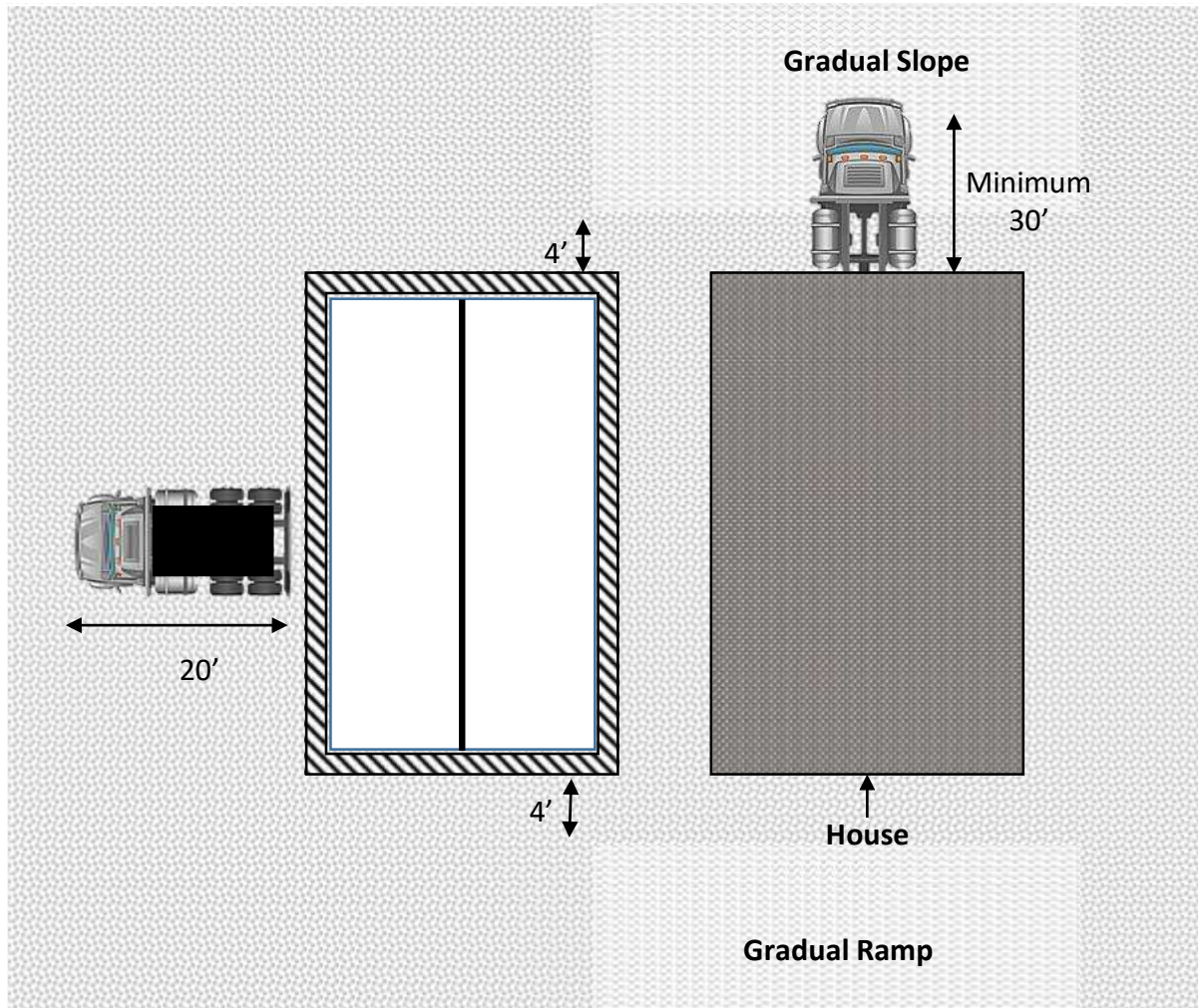


OR



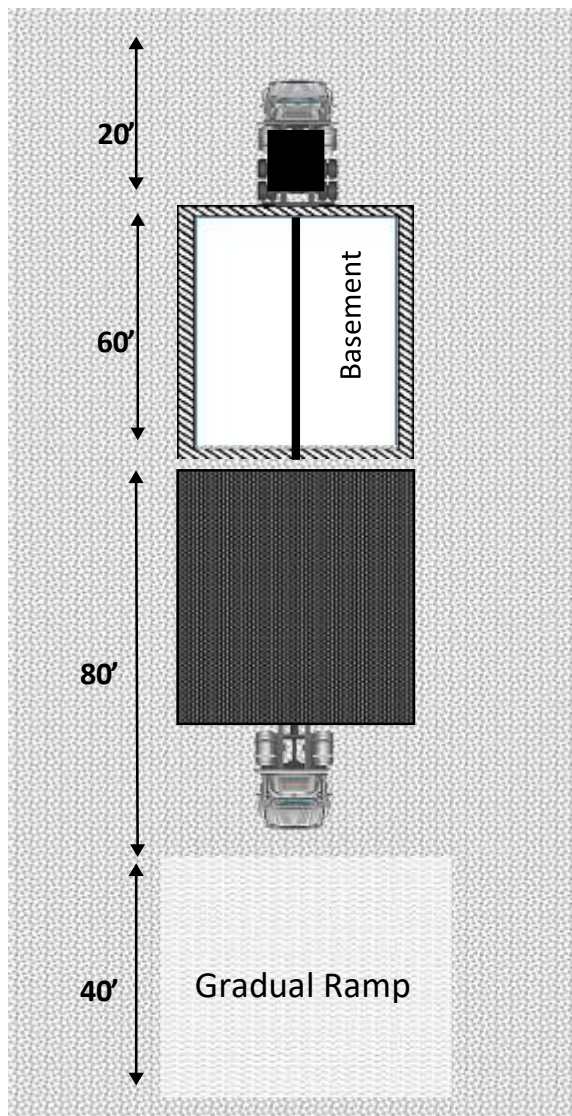
- Above Examples are both correct on preparing a site.
- Allow 10' wider than width of the house on level pad and surrounding foundation.

Site Upload Site Prep Top View



- Allow a 30' extra space for the semi truck on the pad, please prepare for the semi to be on either end of the house.
- Allow 20' on the opposite side of which the house will be pulled onto the foundation, for the crane truck to pull the house over top of the basement.
- There may be a gradual slope or ramp for the semi to drive up to the level pad for unloading starting 4' past the end of the foundation.

End Upload Site Prep



- When preparing for an end unload please allow for twice the length of the house for maneuvering the house into position.
- Allow 20' on the opposite side of which the house will be pulled onto foundation, for the crane truck to pull the house over top of the basement.
- There may be a gradual slope or ramp for the semi to drive up to the level pad for unloading starting 4' past the end of the foundation.